



SITCO ANTENNAS

**ASSEMBLY INSTRUCTION
FOR
END MOUNTED LOG PERIODIC
ANTENNAS
MODEL: EML and ECL**

10330 N.E. Marx St,
P.O. Box 20456,
Portland, OR 97220

Ph: (503) 253-2000
Fax: (503) 253-2009
E-mail: sitco@simplicitytool.com
Website: <http://www.simplicitytool.com>

Rev. 02-A



SITCO ANTENNAS

ANTENNA INSTALLATION:

1. Your antenna should arrive packed in two boxes. The long box contains the antenna and the smallest box contains the mounting hardware.
2. Sort the elements. There should be 12 (ECL series) or 8 (EML series) pairs of elements. Sort these into pairs ranging from smallest to largest.
3. Starting with the shortest pair of elements, insert the elements into the boom in an alternating fashion, beginning from the front of the boom.
The elements protruding from left hand side should alternate from the top to the bottom boom as you go back, and the elements protruding from the right should do the same in an opposed manner (see figure 1 and 2).
4. Adjust the elements until $\frac{1}{2}$ " extends out the other side of the boom, and insert the 8-32 x 1" machine screw.
5. Secure the crossarm tube to the antenna support brace mounting bracket (see figure 3). Attach an antenna brace to the crossarm tube with the end bent down. Connect the other antenna brace in the same way. Attach both antenna braces to the fiberglass hangers as shown in figure 2, detail A. Attach the antenna crossarm tube bracket to the mast/tower leg using the supplied U-bolts. Also, connect the antenna boom support bracket to the antenna mast/ tower leg using the supplied U-bolts (see figure

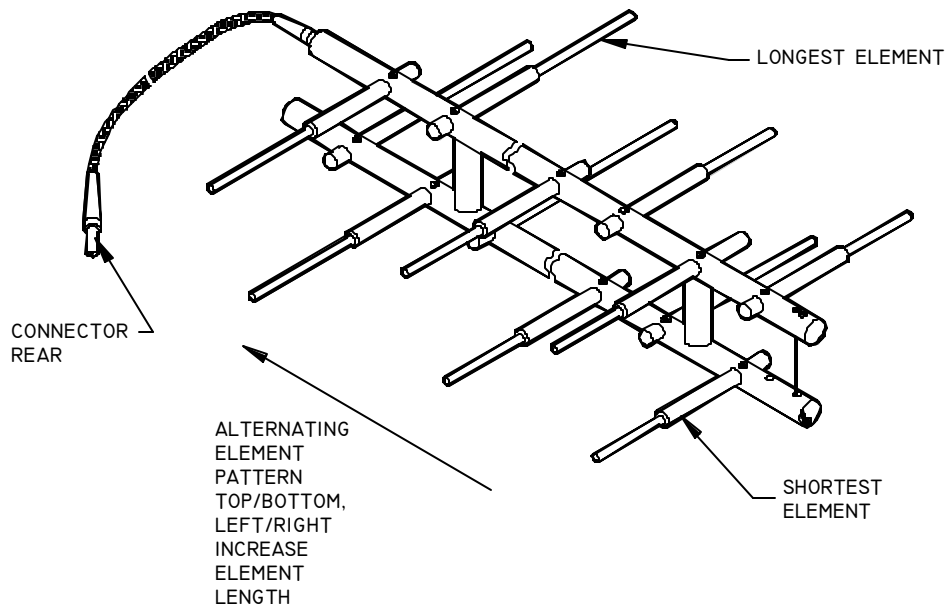


Figure 1



SITCO ANTENNAS

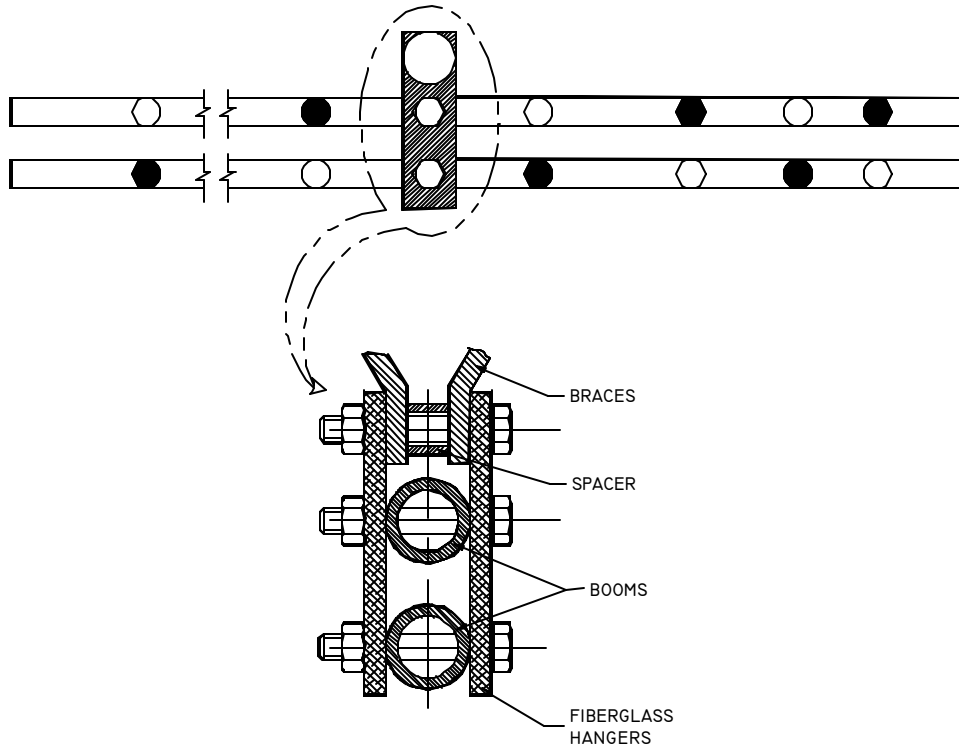


Figure 2



SITCO ANTENNAS

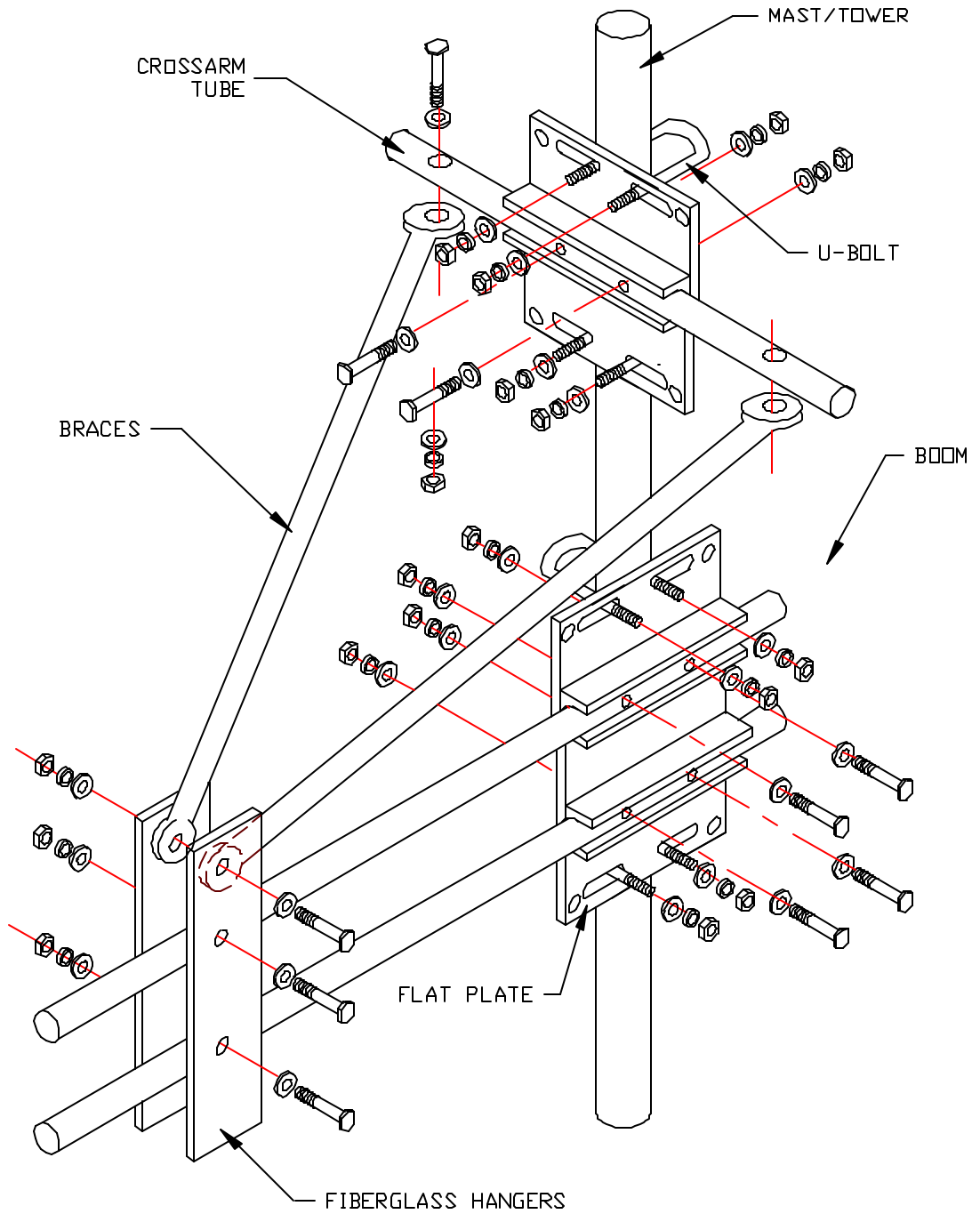


Figure 3