



**SITCO ANTENNAS**

PORTLAND, OREGON USA

**INSTRUCTION  
FOR  
PS24 POWER SUPPLY**

10330 N.E. Marx St,  
P.O. Box 20456,  
Portland, OR 97220

Ph: (503) 253-2000  
Fax: (503) 253-2009  
E-mail: [sitco@simplicitytool.com](mailto:sitco@simplicitytool.com)  
Website: [www.simplicitytool.com](http://www.simplicitytool.com)

Rev. 02-A



# SITCO ANTENNAS

PORTLAND, OREGON USA

The Sitco PS24 Power Supply is designed to provide power for a single Sitco / Triax PA24 series low noise preamplifier.

## Feature include:

- Line fusing.
- Transient voltage spike protection.
- Fused output to prevent damage to preamp in case of voltage regulator failure or output overload.
- LED output indicator.
- RF / DC duplex network to power the preamp via the coaxial downlead.

The Sitco Power Supply is designed for high performance, and reliability and is intended for indoor use.

## Specifications:

Input voltage requirements	115-120 VAC 50/60 Hz or 208-240 VAC 50/60 Hz (as ordered)
Regulated output voltage	24 VDC ( $\pm 4\%$ ) at 120am
Impedance	50 or 75 ohms (as ordered)
Connector	N or F (as ordered)

## Ordering information:

Description	Part No.
115-120 VAC, 75 ohm F	PS24-FS
115-120 VAC, 75 ohm N	PS24-N75
115-120 VAC, 50 ohm N	PS24-N50
208-240 VAC, 75 ohm F	PS24-FS-220
208-240 VAC, 75 ohm N	PS24-N75-220
208-240 VAC, 50 ohm N	PS24-N50-220

## Installation:

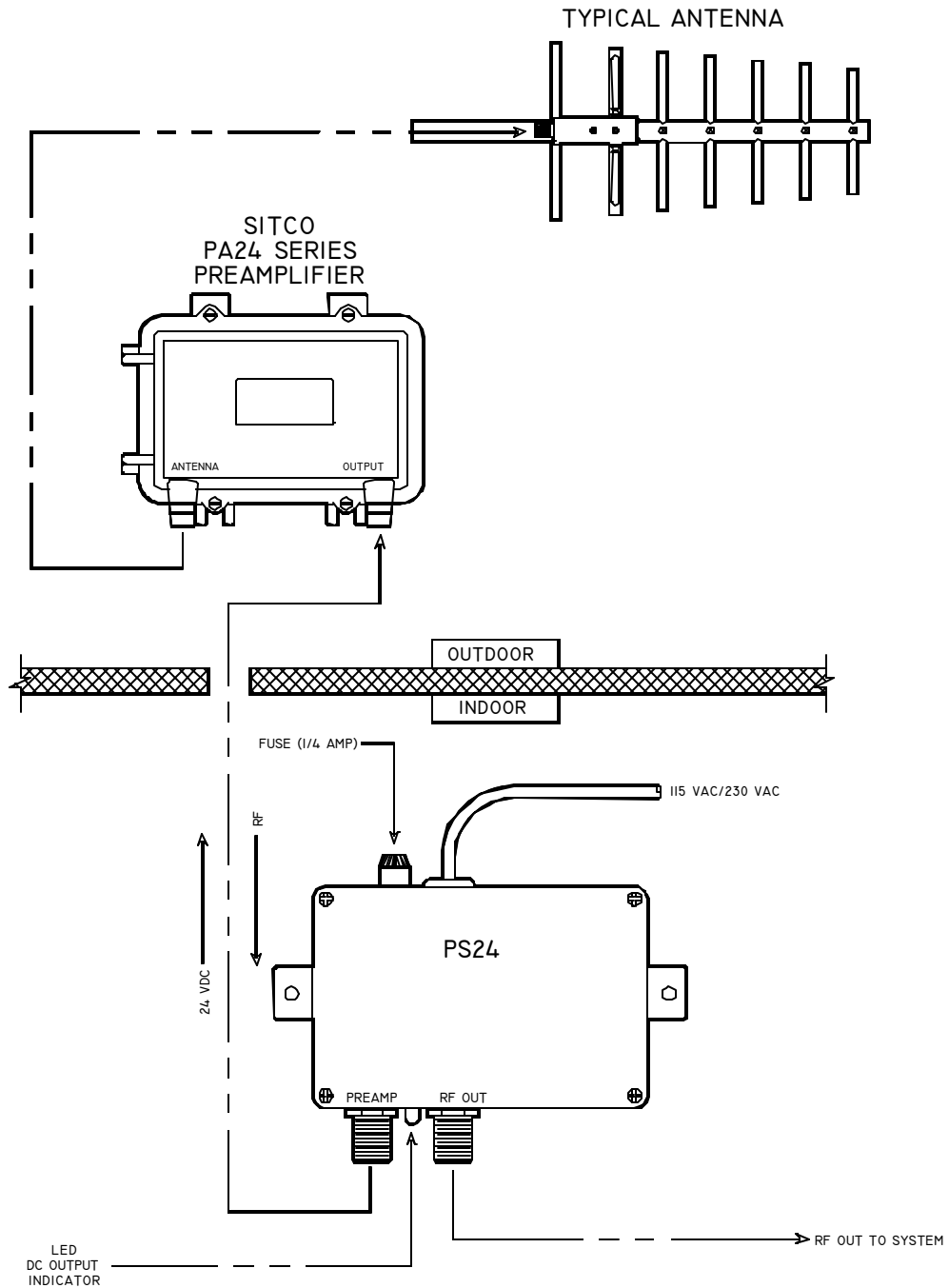
### NOTE:

- The PS24 is intended for indoor use only.
- Install Preamp as close to antenna as possible.
- Take care to install coax with proper weather protection measures in mind.



# SITCO ANTENNAS

PORTLAND, OREGON USA



## NOTE:

- DC output fuse inside 1/4 AMP 5 x 20mm.

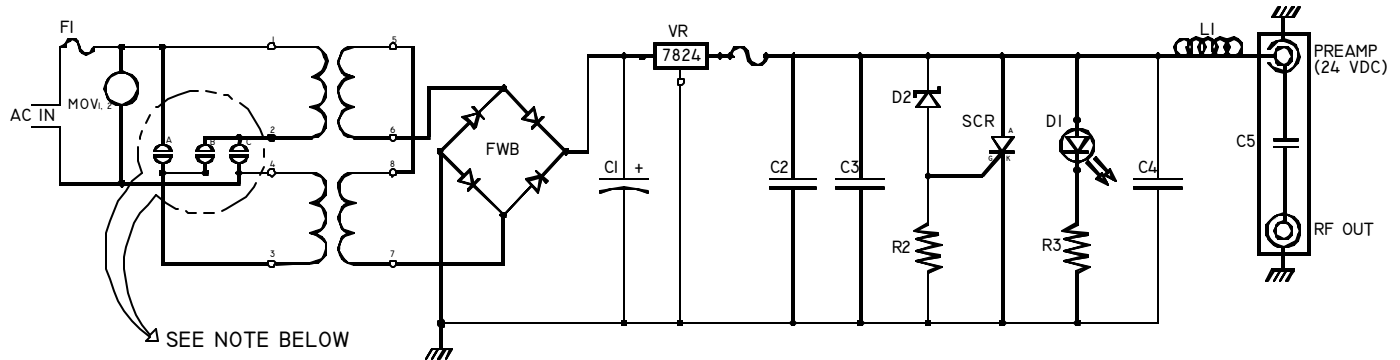


# SITCO ANTENNAS

PORTLAND, OREGON USA

## **WARNING!**

- DISCONNECT AC VOLTAGE BEFORE REMOVING COVER.



## **NOTE:**

- For nominal 115 VAC: Short pad “A” short pad “C” and install MOV 1.
- For nominal 230VAC: Short pad “B” and install MOV 2.

Legend	Description	Stock No.
T1	Transformer, dual pri 115/230	4620
MOV1	Varistor, metal oxide, 130 VAC	4555
MOV2	Varistor, metal oxide, 250 VAC	4560
FWB	Bridge Rectifier, single phase	4570
VR	Voltage Regulator, 24 VDC	4565
SCR	Silicon Controlled Rectifier	4575
L1	Choke, 10 UH-RF min, 30 MHz	4590
D1	Light Emitting Diode, green, T-1, 3/4	4545
C1	Capacitor, 1000 UFD, 50 VDC	4530
C2, 4	Capacitor, 0.1 UFD, 50 VDC	4535
C3	Capacitor, 0.01 UFD, 50 VDC	4540
C5	Capacitor, 0.01 UFD, 50-100 VDC	4525
D2	Zener Diode, 28V, 500mV	4550
R2	Resistor, 1k OHM, 1%	4580
R3	Resistor, 1.2k OHM, 5%	4585
PCB	Printed Circuit Board	4625
PCB	PC Board RF/DC 75 OHM	4630
PCB	PC Board RF/DC 50 OHM	4635
Fuse 1	250 mA 3AG	4600
Fuse 2	250mA 5 x 20 mm	4605