



SITCO ANTENNAS

PORTLAND, OREGON USA

PS24-F SERIES POWER SUPPLY INSTALLATION

10330 N.E. Marx St,
P.O. Box 20456,
Portland, OR 97220

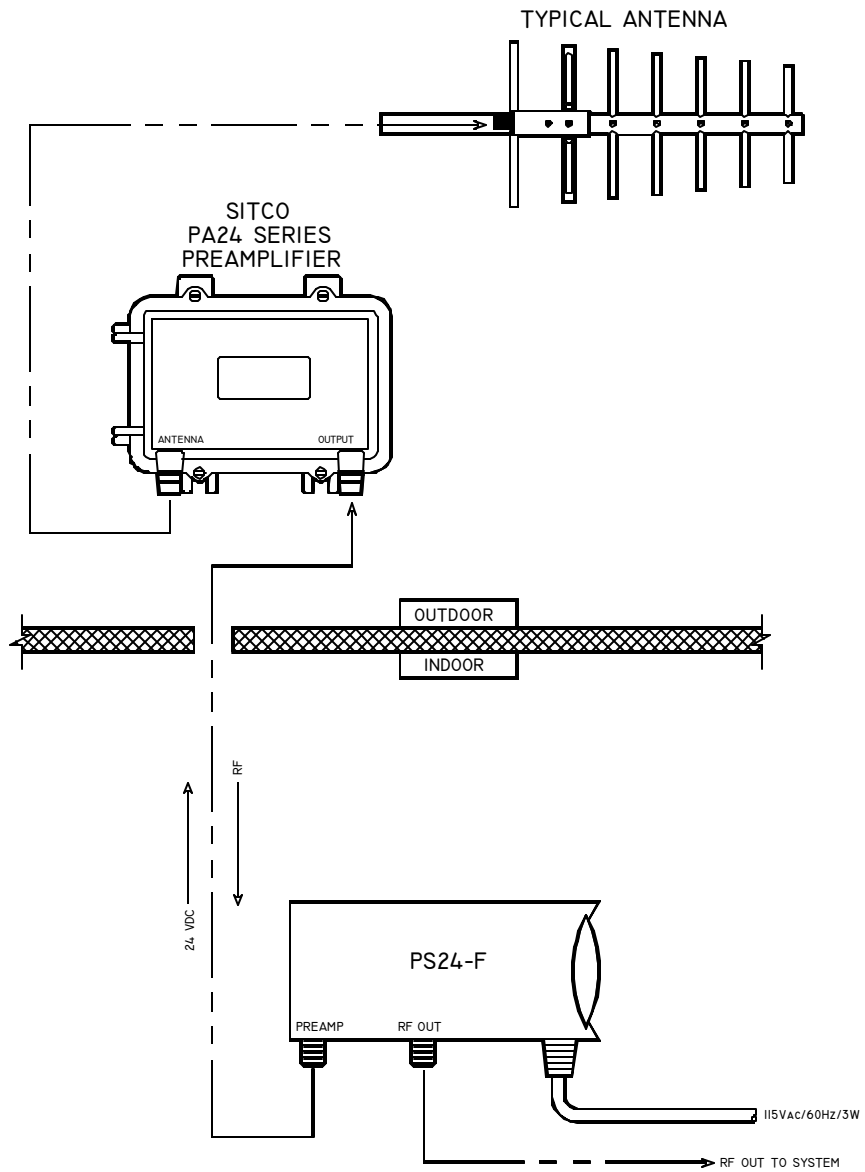
Ph: (503) 253-2000
Fax: (503) 253-2009
E-mail: sitco@simplicitytool.com
Website: www.simplicitytool.com

Rev. 02-A



SITCO ANTENNAS

PORTLAND, OREGON USA



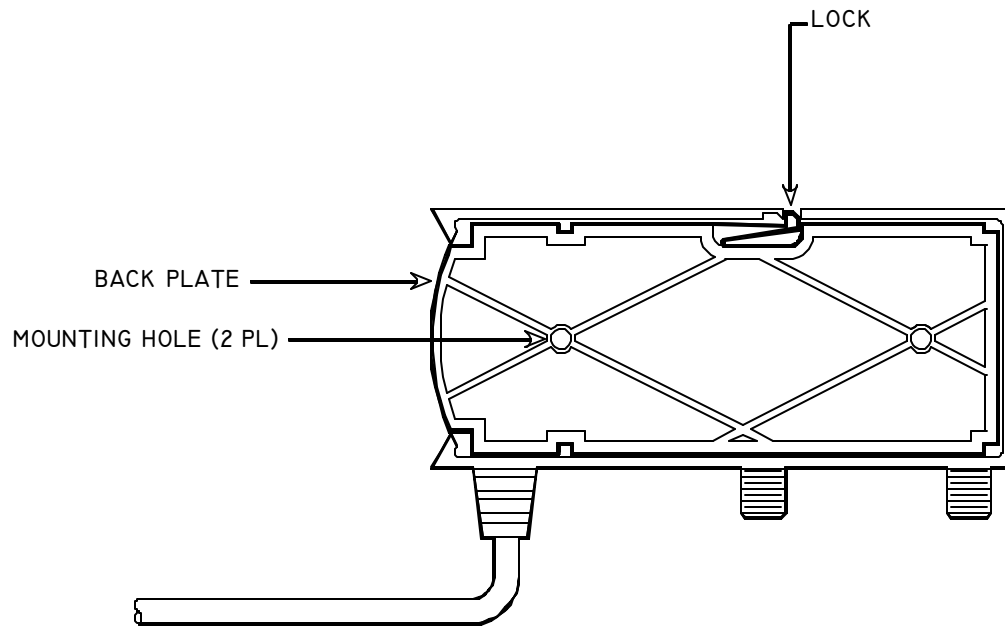
For mounting information use following steps.

- Remove back plate from the box by pushing lock down and sliding over. See figure below.



SITCO ANTENNAS

PORTLAND, OREGON USA



- Using mounting holes attach back plate to the desired locations.
- Install power supply box to the back plate.