



SITCO ANTENNAS

**ASSEMBLY INSTRUCTION
FOR
UHF SINGLE BAY
END MOUNT
(2" Oversize Hardware)**

10330 N.E. Marx St,
P.O. Box 20456,
Portland, OR 97220

Ph: (503) 253-2000
Fax: (503) 253-2009
E-mail: sitco@simplicitytool.com
Website: www.simplicitytool.com

Rev. 02-A



SITCO ANTENNAS

1.1. BILL OF MATERIALS:

- a. One carton, containing:

DESCRIPTION	QTY
Antennas	1
Braces	1
Assembly instruction	1
Hardware bag	1

- b. Hardware bag, containing:

DESCRIPTION	QTY
a. Screw 10-24 x 1-1/4"	1
b. Kep nut 10-24	1
c. Single clamps	2
d. Double clamps	2
e. Flat washer 1/4"	6
f. Lock washer 1/4"	6
g. Bent Bolt 5/16 x 3-1/2"	4
h. Bent Bolt 5/16 x 4-1/2"	2
i. Hex nut 1/4"	6

- Total quantity of cartons is one.



SITCO ANTENNAS

1.2. GENERAL:

- a. Only the highest quality aluminum alloy rod and seamless tubing is used in the manufacture of SITCO antennas. To insure a long lasting installation, all steel hardware, clamps and mounting plates are zinc plated with chromate dip to withstand adverse weather conditions.

1.3. ANTENNA MOUNTING

- a. With this hardware kit, use a double clamp on both sides of the mast and attach the antenna with the 4-1/2" bent bolts through the top of the clamp and the 3-1/2" bent bolts through the bottom of the clamp

ITEM	DESCRIPTION	QTY	FOUND IN
2-1	Antenna boom	1	Antenna Box
2-2	Bent bolt 5/16 x 4-1/2"	2	Hardware Bag
2-3	Bent bolt 5/16 x 3-1/2"	2	
2-4	Flat washer	4	
2-5	Lock washer	4	
2-6	Hex nut	4	
2-7	Double Clamp	2	

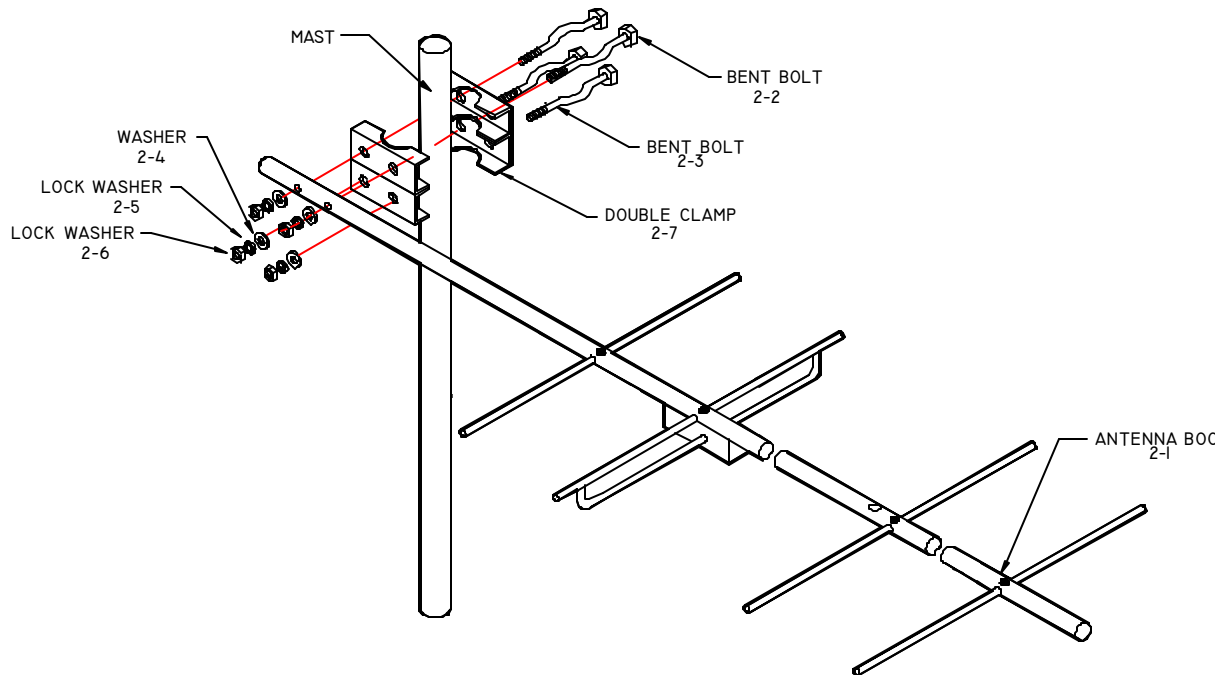


Figure 1



SITCO ANTENNAS

1.4. BRACE MOUNTING

- a. With this hardware kit, use a single clamp on both sides of the mast and the remaining 3-1/2" bent bolts to capture the mast and the antenna brace mounting hole. See table below and Figure 2.

ITEM	DESCRIPTION	QTY	FOUND IN
3-1	Brace	1	Antenna Box
3-2	Single clamp	2	Hardware Bag
3-3	Flat washer	2	
3-4	Lock washer	2	
3-5	Lock Nut	2	
3-6	Screw	1	
3-7	Nut	1	
3-8	Bent bolt 5/16 x 3-1/2	2	

NOTE: Tighten all bolts securely. Do not over tighten, as this will compress the clamps and distort the bolts and antenna alignment.

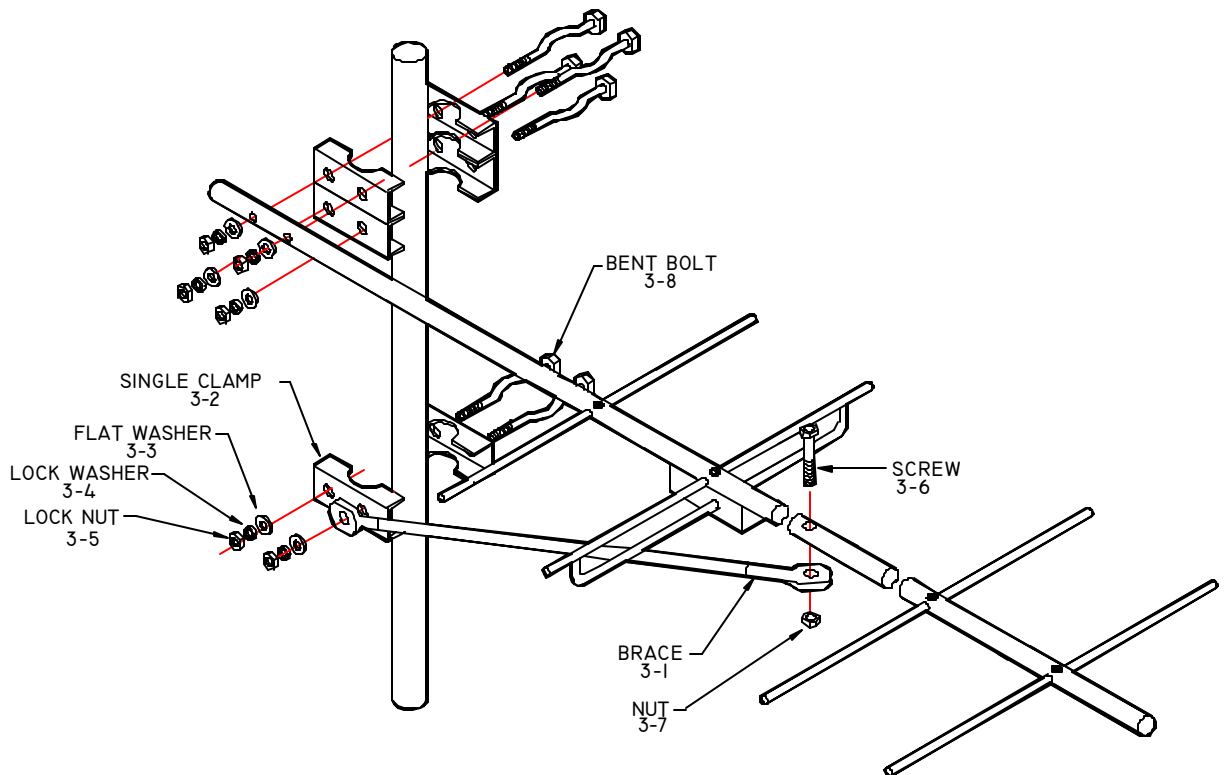


Figure 2