



SITCO ANTENNAS

**ASSEMBLY INSTRUCTION
FOR
UHF SINGLE BAY
END MOUNT
(3.5" Oversize Hardware)**

10330 N.E. Marx St,
P.O. Box 20456,
Portland, OR 97220

Ph: (503) 253-2000
Fax: (503) 253-2009
E-mail: sitco@simplicitytool.com
Website: www.simplicitytool.com

Rev.02-B



SITCO ANTENNAS

1.1. BILL OF MATERIALS:

- a. One carton, containing:

DESCRIPTION	QTY
Antennas	1
Braces	1
Assembly instruction	1
Hardware bag	1

- b. Hardware bag, containing:

DESCRIPTION	QTY
a. Screw 10-24 x 1-1/4"	1
b. Kep nut 10-24	1
c. Flat washer 3/8"	6
d. Lock washer 3/8"	6
e. Hex nut 3/8"	6
f. U-bolt	3
g. Cross plate	1
h. U-Bolt plate	3
i. Bolt 1/4" x 1-3/4"	2
j. Flat washer 1/4"	2
k. Lock washer 1/4"	2
l. Hex nut 1/4"	2

- Total quantity of cartons is one.



SITCO ANTENNAS

1.2. GENERAL:

- a. Only the highest quality aluminum alloy rod and seamless tubing is used in the manufacture of SITCO antennas. To insure a long lasting installation, all steel hardware, clamps, U-bolts and fasteners are zinc plated with chromate dip to withstand adverse weather conditions.

1.3. ANTENNA MOUNTING

- a. Attach the cross plate to the antenna boom using 1/4" x 1-3/4" bolts.
- b. Attach bent end of the brace to the antenna using 10-24 x 1-1/4" screw. The mounting hole is located approx. 2/3 from the mounting end of antenna in a plane perpendicular to the elements plane. See Figure 1.
NOTE: Use the hole located closest to the driven element. The other hole is for quad assembly only.

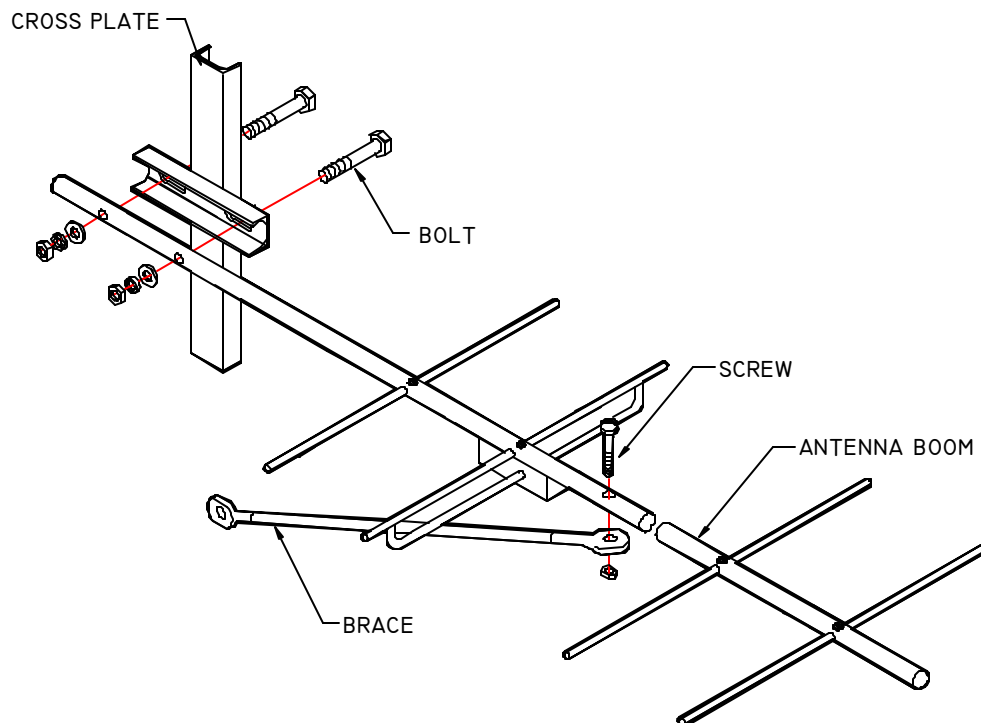


Figure 1



SITCO ANTENNAS

- c. Attach the antenna to the tower / mast using two U-bolts and two U-bolt plates.
- d. Slide the third U-bolt around the tower / mast and attach the remaining u-bolt plate and the brace to one leg of the U-bolt and tighten them using provided hardware. See Figure 2.

NOTE: Tighten all bolts securely. Do not over tighten, as this will compress the clamps and distort the bolts and antenna alignment.

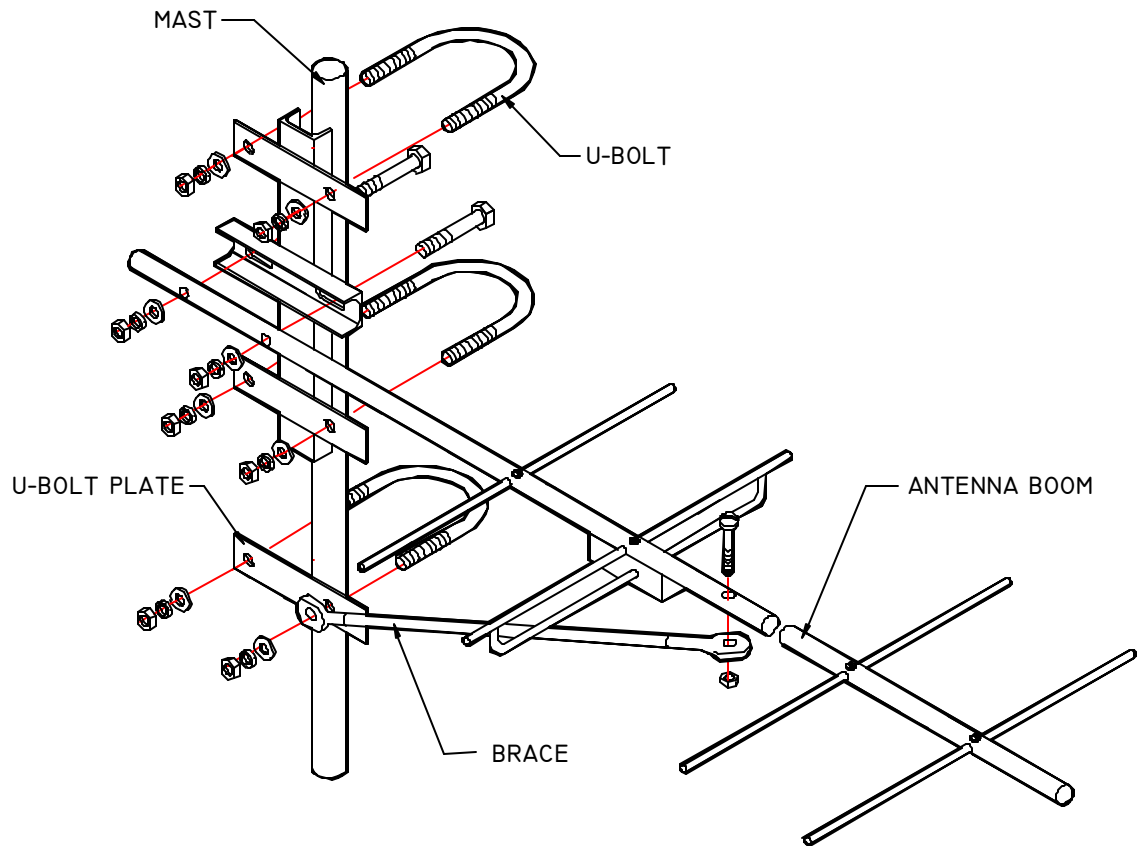


Figure 2